

## Features

- Built-in 100v/70v transformer
- In-ceiling type loudspeaker
- Ceramic connector, thermal fuse and fire-resistant cable
- 5" speaker unit
- Power taps 0.38w-0.75w-1.5w-3w-6w @100V
- Metal grille, metal baffle and fire dome metal back can

## Description

The VA-565 is a fireproof ceiling speaker built-in 70v/100v transformer. The 70v/100v transformer technique reduces line losses on longer distance and allows easy parallel connection of multiple loudspeakers.

The built-in 5" speaker driver is designed of wide frequency response 130-18KHz, the multiple power taps 0.38W, 0.75W, 1.5W, 3W & 6W are helpful for different applications varies from room size and ambient noise surroundings.

The metal grille, metal baffle and fire dome metal back can plus ceramic connector, thermal fuse and fire-resistant cable, all of the above features make it is fireproof. Its spring clamp type makes the easy and secure installation.

This fireproof ceiling speaker is specially designed for fire alarm and voice evacuation system, which is designed and manufactured according to EN54-24 standard. It is ideal choice for industrial and commercial applications in hotel, school, office and factory where background music and paging is needed.

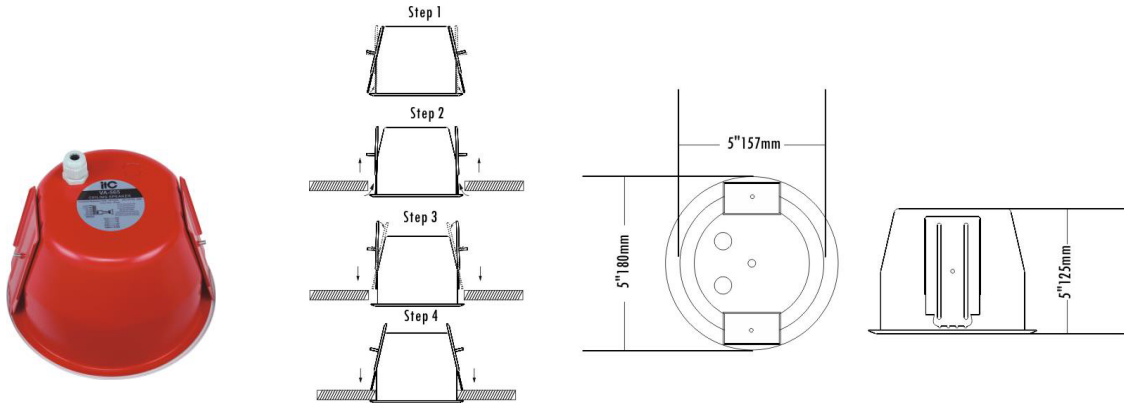


## Specification

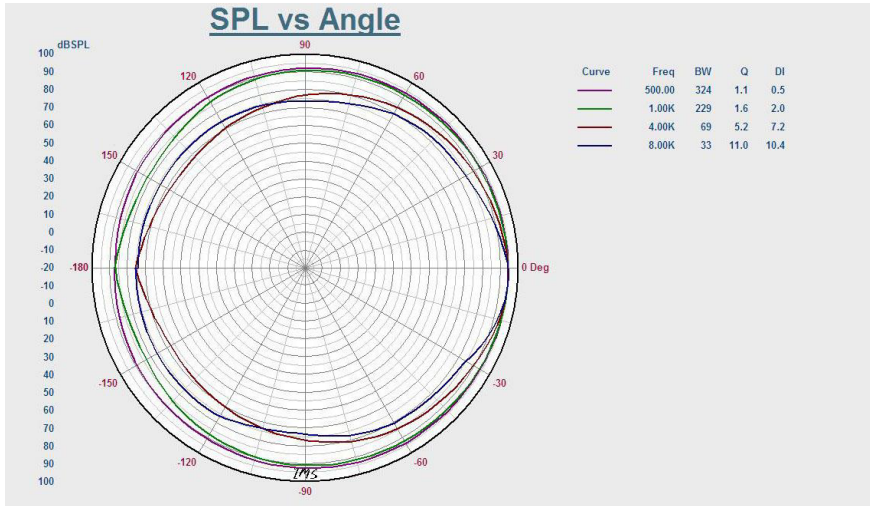
Model	VA-565
Power Taps @100V	0.38W, 0.75W, 1.5W, 3W, 6W
Power Taps @70V	0.19W, 0.38W, 0.75W, 1.5W, 3W
Impedance	Com/1240Ω/1840Ω/3340Ω/6790Ω/13300Ω
SPL(1W/1M)	92dB
Max. SPL (Rated W/1M)	100dB
Frequency Response (-10dB)	130-18KHz
Finish	Baffle: Steel, White    Grille: Steel, White    Cover: Steel, Red
Speaker Driver	5"
Cutout Size	157mm
Dimensions	180 x 147mm
Weight	1.2Kg

# VA-565

5" Ceiling Speaker with fire dome,  
0.38W-0.75W-1.5W-3W-6W, 100V



**Direction Diagram:**



**Frequency Response:**

