

# SK-540

## COLUMN SPEAKER

### Outdoor Column



CS-540

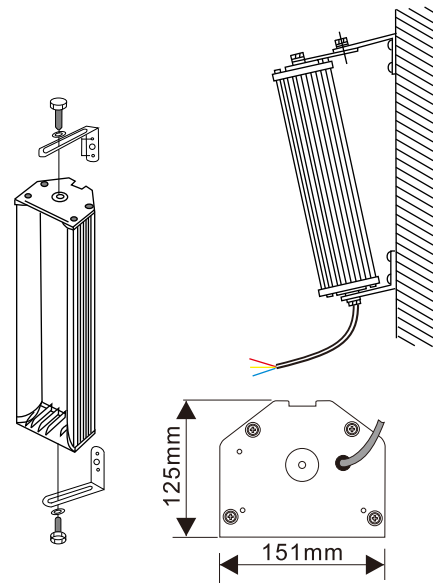
SK-540 series is outdoor waterproof and heat-resistant broadcasting system sound column speaker, selected waterproof unit design, sound penetration, sound quality clear and bright, aluminum alloy design, good waterproof performance. Aluminum alloy mesh cover can prevent dust from entering the sound quality, prolong the service life of speakers. Sound column is suitable for a variety of places, such as stations, cafes, tourist attractions, villas, parks, campuses, real estate and other outdoor places.

### characteristic

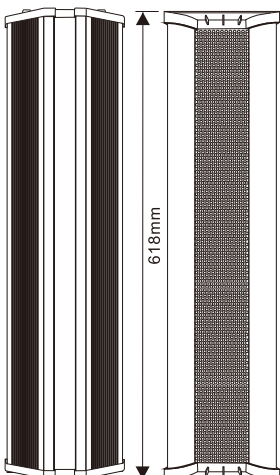
- Extraordinary voice and music reproduction effects
- Aluminum alloy shell
- Water and corrosion resistance
- CE standard

### Specification

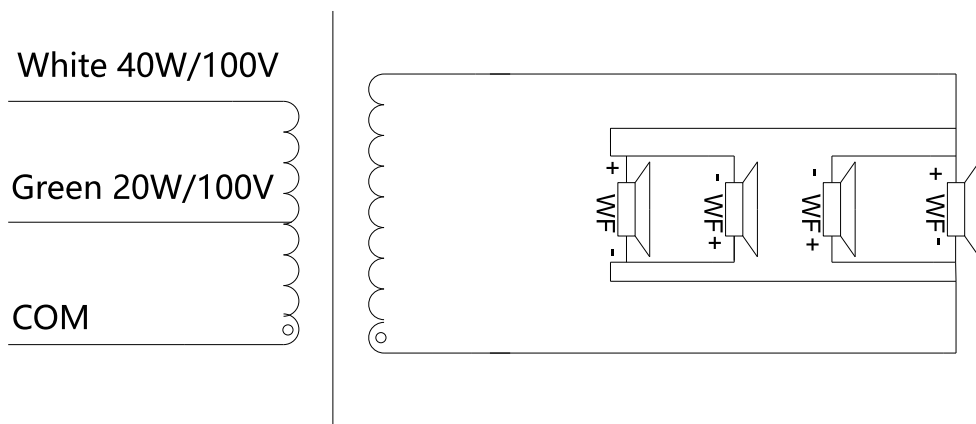
Model	SK-540
Input Power	20W/40W(100V)
Rated Impedance	500Ω(20W)/250Ω(40W)
Sensitivity	94.5±3dB(1M/1W)
Frequency Response	100Hz-15KHz
Speaker Unit	4" Full Range Speaker
Mounting Hole Size	2*Φ10MM The height of the hole to hole is 545mm
Speaker Installation Method	Wall mounted
Connection Mode	Three core cable
Material Science	Panel, mesh cover: aluminum
Size	618*151*125
Weight	4.82Kg/1PC
Working Temperature	-25°C to +55°C
Storage Temperature	-40°C to +70°C
Relative Humidity	≤95%



### Three views

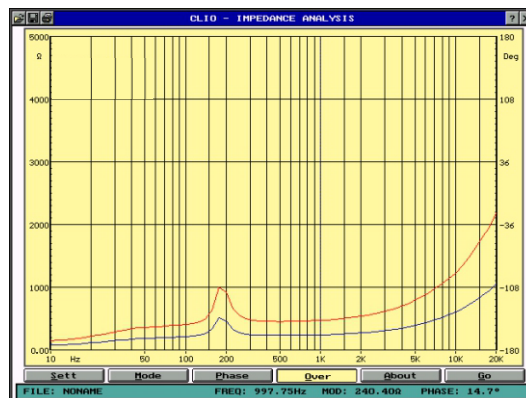
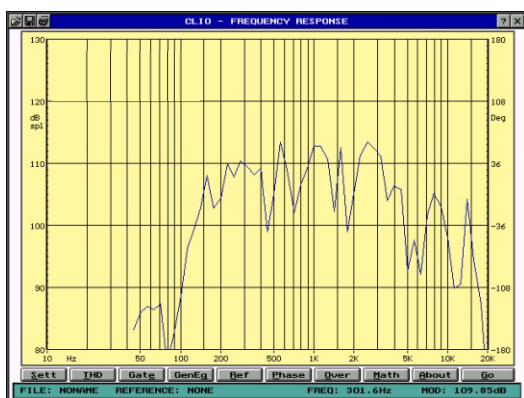


# Circuit Diagram



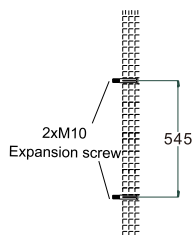
## Frequency Response Diagram

## Impedance Diagram

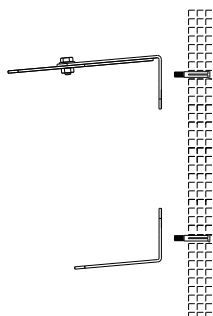


# Installation Instructions

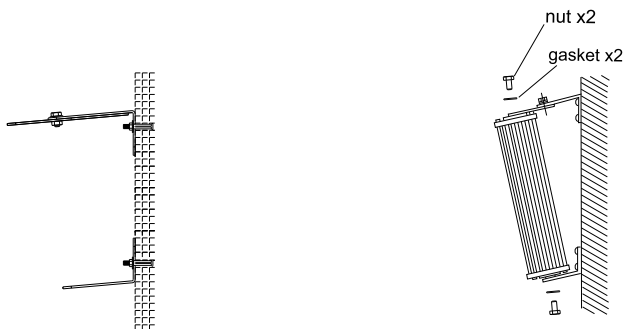
1. First drill two  $\Phi$  8mm holes in the wall with the height (as shown below).



2. Insert M10 expansion screws into the two holes respectively.



3. First install the bracket on the two holes made in advance, prepare the gasket, nut to install the product on the bracket.



4. Installation complete.

