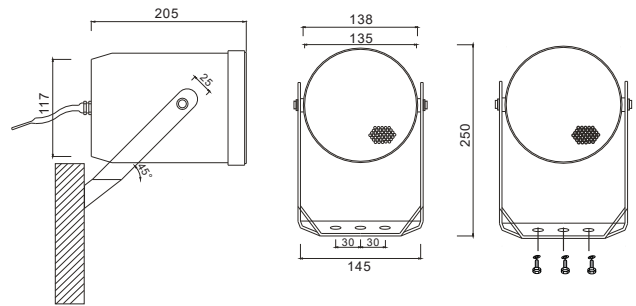


SK-306

5" Indoor Projection Speaker, 100v Line,
2.5W/5W/10W With Bracket

General Specification	
Type	SK-306
Frequency Response	150Hz-15KHz
S.P.L.	99dB at 100V 10W/M
Sensitivity(1m/1W)	89±3dB
Rated Power	10W
Power Taps	2.5W/5W/10W
Line input	100V
Dimension(mm)	Φ138*205
Physical Specification	
Material	ABS(white ral 9016)
Component	5"
Grill	Powder Coated Aluminum Mesh(ral9016)
Finished Colour	White ral 9016
Unit Weight	1.6Kg
Gross Weight	16.1Kg/8PCS
Packing Dimension(cm)	74*38*32
Woofer Speaker Specification	
Voice Coil Size	PSV Φ20.4 *Φ0. 12*2Layer
DC Impedance	6.8Ω
Former	Paper
Magnet	Ferrite(180g) Φ65*Φ32*15(Y30)
Basket	Iron
Cone Material	Paper with coating
Spider	Cloth
Dust cap	Mylar sub cone
Net Weight	550g



(IP55)

